

# Supermarket Type Coolers

## PDC126

User Manual

EN

This manual has been prepared from the models listed below. May appear RX at the end of the model name on the labels of the model you have. The RX doesn't relate using the device. This title can be change in reference to orders.

## **PDC126**

## CONTENTS

<b>1- BASIC INFORMATION</b> .....	4
1.1- SYMBOLS .....	4
1.2- INTRODUCTORY PICTURES .....	4
1.3- PRODUCER'S AREA OF RESPONSIBILITY .....	5
<b>2- SAFETY INFORMATION AND ENVIRONMENTAL WARNINGS</b> .....	5
2.1- BEFORE OPERATION OF THE EQUIPMENT .....	5
2.2- TECHNICAL SAFETY .....	6
2.3- DURING OPERATION OF THE EQUIPMENT .....	7
2.4- WASTE DISPOSAL .....	8
<b>3- INSTALLATION</b> .....	8
3.1- SELECTION OF DEVICE PLACE .....	8
3.1.1- USING WHEEL .....	9
3.2- TAKING OUT OF PACKAGE .....	9
3.3- ELECTRICAL CONNECTIONS .....	10
<b>4- DEVICE USAGE</b> .....	11
4.1- THERMOSTAT ADJUSTMENTS .....	11
4.1.1- GENERAL INFORMATION AND INSTRUCTIONS .....	11
4.1.2- SET TEMPERATURE .....	12
4.1.3- MANUAL DEFROST .....	12
<b>5- SPECIAL INSTRUCTIONS FOR USE</b> .....	12
5.1- CLEANING .....	12
5.1.1- GLASS CLEANING .....	12
5.2- RECOMMENDATIONS FOR ECONOMICAL USE .....	13
5.3- USING AN ANGLED DEVICE .....	13
5.4- LOADING CAPACITY .....	13
<b>6- TURNING OFF AND CARRYING THE DEVICE</b> .....	14
6.1- TURNING OFF THE DEVICE .....	14
6.2- CARRYING THE DEVICE .....	14
<b>7- TURNING OFF AND CARRYING THE DEVICE</b> .....	15

Dear Valued Customer,

The device you have bought is manufactured by taking quality as priority and designed in order to provide you the best performance.

We advise you to read the explanations offered in this guide carefully and to act in accordance with the stated rules before installation of the device and before using the device in order to ensure the best performance. In case you do not comply with the explanations stated in this guide, you will go beyond the scope of your warranty in case of any malfunction of the device.

Please keep this guide to use in the application transactions that you may need to make later.

## 1- BASIC INFORMATION

### 1.1- SYMBOLS

Some significant points in using the device are made attention grabbing with symbols. The meaning of these symbols are stated below in accordance with their prioritization order. Please pay attention to these symbols.



#### WARNING

**It involves information provided in order to prevent serious damages that may result in injuries, loss of life and property during use.**



#### NOTE

**It involves the information regarding what to pay attention during use.**



#### SUGGESTION

**It involves the information provided in order to prolong the devices life and to be used more efficiently.**

### 1.2- INTRODUCTORY PICTURES

All the introductory Images of your device are presented on the last pages of this guide. Please examine the general view of the device on Image **A**.

1. \*Glass sliding cover
2. \*\*Handle
3. Front glass
4. Bumper bar
5. Kickplate
6. \*Wheel

*\* only available on some models*

*\*\* may differ by model*

## 1.3- PRODUCER'S AREA OF RESPONSIBILITY

The manufacturer may not be held responsible in any way for injuries and damages that may arise in case of failing to comply with the aspects stated below.

- The equipment has **cooler** mode. Do not use the equipment for purposes other than its intended use.
- Use the equipment as specified in this manual.
- Comply with the warning and safety instructions specified in the manual (**Chapter 1.1**).
- Observe the applicable safety instructions in your region.
- Use only the original spare parts provided by the manufacturer in order to maintain the safety conditions.



**Maintenance, repair and change of spare parts operations shall be carried out by Authorized People.**

## 2- SAFETY INFORMATION AND ENVIRONMENTAL WARNINGS

### 2.1- BEFORE OPERATION OF THE EQUIPMENT

It is important to act in accordance with the aspects stated below before operation of the equipment with regards to safety, performance and energy consumption.



**The lubricant in the cooler part of the equipment may be displaced during transportation and transfer operations. For this reason, wait minimum 4 to 6 hours before operating the equipment.**

The location of assembly of the equipment affects the performance and energy consumption of the equipment (**Chapter 3.1**).

EN



### SUGGESTION

**In order for the equipment to be used in the most efficient way, the ambient temperature where it is located must be considered. The ambient temperature in the area where the equipment will be used must be 25°C and the humidity 60% R.H.**



### NOTE

**The internal part of the equipment must be dry before placing products inside.**

Make sure that there is air circulation in the motor part.

Please keep in mind that all electrical appliances are potential sources of hazard, and pay attention to all warnings made.



### WARNING

#### FIRE HAZARD

**If the refrigerant gas written on the label at the back side of the equipment is R290, in case of substance leakage, make sure that the necessary ventilation has been provided in order to prevent from the mixing of the inflammable gas with air. Because the mentioned gas is environment-friendly but inflammable. In case of leakage, keep the heat sources that may lead to inflammation away from the equipment.**

## 2.2- TECHNICAL SAFETY

R290 refrigerant fluids are used in the manufacturing of PDC126 equipment depending on the orders. R290 refrigerant fluid is environment friendly but inflammable. Therefore, in handling and mounting operations of the equipment, follow the steps below if the cooler or electrical equipment, has been damaged.

- If there is any kind of source such as fire, sparkle etc. that may lead to inflammation at the environment where the equipment is located, keep your equipment away from such sources. Otherwise, fire, explosion, etc. may be experienced.

- Plug out the equipment and ventilate the environment where the equipment is located.

- Please contact the Authorized Service.

The refrigerant gasses in this equipment slightly increase the sound of operation of the compressor.

You may hear the sound of air circulation together with this sound. This situation is normal and it does not affect the working performance of the equipment.

The outer frame of the equipment may get warm during operation. This situation is normal and it is caused by the design of the equipment.

### 2.3- DURING OPERATION OF THE EQUIPMENT

This equipment is manufactured to be used in stores such as supermarkets, pastry shop etc. It is important to comply with the articles stated below about the use of the equipment with regards to safety, performance and energy consumption.

- Your equipment is designed for use in indoor environments. Our company shall not be responsible due to problems that may arise in the case that you use your equipment in outdoor environments.

- The equipment can operate in **cooler** mode. Do not use the equipment for purposes other than its intended use.



- In case that the equipment is used by children and people lacking knowledge (people with limited physical, emotional or cognitive skills), it may lead to some risks and dangerous situations. In order to prevent such risks, persons who may be exposed to danger must use the equipment with the guidance and under the control of the responsible person.

- Keep children younger than 8 years old away from the equipment and prevent them from using the equipment. Children should be supervised to ensure that they do not play with the appliance.

- Carry out the layout, installation and cleaning of the equipment as specified in this manual.

- If the equipment is used in accordance with the climatic conditions for which it is designed, it will provide the best performance. This equipment is designed to be used in indoor environments. According to EN 23953-2, it must be used in environments to provide Climate Class 3 (25°C-60 % R.H.).

## 2.4- WASTE DISPOSAL



This equipment is compatible with **Waste Electrical and Electronic Equipment (WEEE) Control Regulations**. Within the scope of this regulation, it may be recycled by **Licensed Companies** or may be disposed of under conditions consonant with the environment.

This equipment is not an invaluable waste. You may protect the environment and natural resources by enabling reuse of valuable raw materials. If the equipment is worn and may not be reused, please follow the steps below.

- Plug out the equipment.
- Cut the equipment's electric cable and separate it from the equipment together with the plug.
- \* Get information about the **Waste Electrical and Electronic Equipment (WEEE)** collecting points or the **Licensed Companies** from your municipality.

## 3- INSTALLATION

### 3.1- SELECTION OF DEVICE PLACE

The working environment is very significant in order for the device to work smoothly. Ensure that the conditions stated below are provided with regards to the place the device will be installed in for the cooling performance and energy consumption to stay within the proper values.

- A bowless, flat and solid ground shall be chosen for the device.
- The ventilating slits of the device shall not be covered. There shall be at least 150 mm distance between the device's ventilating slits and the wall. (Image **B**).
- There shall be a grounded and solid plug present close to the device.
- Device shall be placed at least 1 meter away from heat sources (oven, cooker, stove, radiator etc.)
- Device shall be placed where there is no direct sunlight.
- Device shall be placed away from places where there is air stream (against the air condition openings, under fans, at doorsteps or close to windows etc.).



### 3.1.1-USING WHEEL

Place your device so that it will stand on its wheels and carry out the installation procedure.

After the installation procedure and the device placement is completed engage the wheel locks or if in the case that wheel locks are not provided make sure that the device is immobilized where it is placed.



#### **SUGGESTION**

**Comply with the Authorized Persons guidance and suggestions for place selection in order to get the best performance from the device.**

### 3.2- TAKING OUT OF PACKAGE

Do the unpacking in accordance with the unpacking instructions on the equipment.



#### **NOTE**

**Packaging materials may be dangerous for children. Preserve the packaging materials in a place where children cannot reach. Packaging materials are suitable for recycling and may be reused. Thus, dispose of the package materials in accordance with waste disposal instructions or by consulting to your municipality and in a way that will not damage environment.**



#### **WARNING**

#### **FIRE HAZARD**

**You definitely shall leave the ventilating slits and surroundings open within the scope of the rules stated on the guide. Definitely do not prevent air flow. Definitely do not cover.**

**EN**

### 3.3- ELECTRICAL CONNECTIONS

This device can be operation with 220-240V/ 50-60 Hz, 110-127/60 Hz alternating current. Check this value from the label at the back of the device (**Image G**). The aspects you shall pay attention to while using the device are stated below:

- The plug shall be easily accessed also after the device is placed.

- Signified voltage shall be equivalent to grid voltage.

- Extension cables or multi-plugs shall not be used.

- Damaged electric cable shall be replaced by a professional electricity expert.

- A grounded socket, which is protected by a fuse with sufficient capacity (that has 10-16 A strength), shall be used for the device.

- In case there is an electrical problem with the device, the device shall not be used until it is repaired. Electric shock may occur.

Wiring diagram is in **Image F**.



**WARNING**

**FIRE HAZARD**





**Before accessing to the connection terminals, all circuits power must be disconnected.**






## 4- DEVICE USAGE

### 4.1- THERMOSTAT ADJUSTMENTS

#### 4.1.1- GENERAL INFORMATION AND INSTRUCTIONS

Thermostat visual is presented on Image **E**. **Keys;**

- 1- []: **/Defrost**: Press and release, increases the sliding values between Menu options or enables transition. When you press it at least for 5 seconds, Manuel Defrost Loop starts.
- 2- []/**Light**: Internal menu status, reduces sliding values among menu options or enables transition. When you press for 5 seconds, the Light turns on/off.
- 3- []/(**Esc**): Press and release, return to the previous menu and approval of parameter values.
- 4- []/(**Enter**): Press and release, displays the alarms and opens submenus (if any). When you press for 5 seconds, opens programming menus. Approves the commands.

 : <b>Reduced SET / Economy LED</b> <b>Permanently on:</b> Energy Saving active <b>Flashing:</b> Reduced set active <b>Quick flashing:</b> Access to level2 parameters <b>Off:</b> Otherwise	 : <b>Fans LED</b> <b>Permanently on:</b> Fans active <b>Off:</b> Otherwise
 : <b>Compressor LED</b> <b>Permanently on:</b> Compressor active <b>Flashing:</b> Delay, protection or activation blocked <b>Off:</b> Otherwise	 : <b>Alarms LED</b> <b>Permanently on:</b> alarm active <b>Flashing:</b> alarm acknowledged <b>Off:</b> otherwise
<b>AUX</b> : <b>Aux LED</b> <b>Permanently on:</b> Aux output active <b>Flashing:</b> Deep cooling Cycle active <b>Off:</b> Aux output not active	 : <b>Defrost LED</b> <b>Permanently on:</b> Defrost active <b>Flashing:</b> Activated manually or from DI <b>Off:</b> Otherwise
<b>°C</b> : <b>°C LED</b> <b>Permanently on:</b> °C setting (dro = 0) <b>Off:</b> otherwise	<b>°F</b> : <b>°F LED</b> <b>Permanently on:</b> °F setting (dro = 1) <b>Off:</b> otherwise

## 4.1.2- SET TEMPERATURE

To display the Setpoint value press the [SET] key when the 'SEt' label is displayed. The Setpoint value appears on the display. Please again press the [SET]. To change the Setpoint value, press the [↕] and [↕] keys within 15 seconds. Press [SET] to confirm the modification. Press the [⏻] key to exit setting.

## 4.1.3-MANUAL DEFROST

Hold down the [↕] key for longer than 5 seconds. It is only activated if the temperature conditions are fulfilled. Otherwise, the display will blink 3 times to indicate that the operation will not be performed.

# 5- SPECIAL INSTRUCTIONS FOR USE

## 5.1- CLEANING

Perform the external cleaning of your equipment with cotton cloth and warm water. Prevent the cleaning water from penetrating into the lighting parts of the equipment during cleaning.

- Clean the cover seal only by using clean soapy water. The plastic components of your equipment might get damaged due to cleaning with chemical cleaners (such as thinner, etc.).

### 5.1.1- GLASS CLEANING

Hard or sharp objects made of metal (glass scraper, glass knife, steel wool etc.) that may damage the glass surfaces must not be used.

Make sure that the glass surfaces to be cleaned are exposed to too no much water and that they are thoroughly dried after surface cleaning.



## 5.2- RECOMMENDATIONS FOR ECONOMICAL USE

For decreasing the energy consumption;

- Do not place hot food inside the equipment.
- Do not keep the cover of the equipment open for a long time.
- The equipment must be placed at a location where there is no direct sunlight.

## 5.3- USING AN ANGLED DEVICE

Remove the holder .Set angle as you want then wriing the holder(ImageD).

## 5.4- LOADING CAPACITY

• Do not place products in the equipment before reaching the sufficient storage coolness.

• Do not store explosive substances such as aerosol cans with a flammable propellant in this appliance.

Make sure that the foods loaded in the equipment are below the loading line.



Products placed in the equipment in unpacked condition or in nylon bags with holes might cause fluid leakage. The leaking fluids might cause problems such as corrosion, staining and cracking on the plastic parts, losing the hygiene conditions inside the equipment, formation of odour, reproduction of bacteria, etc. This situation might reduce the economic life of your equipment and cause your equipment to go out of warranty dueto faulty usage.

## 6- TURNING OFF AND CARRYING THE DEVICE

### 6.1- TURNING OFF THE DEVICE

If will not use the equipment for a long time due to reasons such as vacation, travels etc., pay attention to the articles stated below.

Press the  button for 5 seconds. "OFF" will appear on the screen.

- Empty the foods out of the equipment, dry the interior part of the equipment properly, and leave the cover open.
- Do not cover the equipment with materials such as plastic coatings etc.



#### NOTE

**If the plastic parts inside the equipment do not let the air in, it may lead to odour, mould growth due to humidity and perspiration. Perspiration may lead to corrosion on the metal parts.**

### 6.2- CARRYING THE DEVICE

Empty the foods out of the device, dry the interior part of the device properly and leave the lid open.

- Turn off the device (**Chapter 6.1**).
- Carry the device under normal usage position. Do not carry the device in sidewise, vertical, oblique positions or when the lid is open.
- Protect the device from impacts while carrying. Do not carry the device when it is plugged in or when full.
- Carry and store the device as stated on the package.
- In order to prevent the device to fall or slide and fall, you shall fasten the device during transportation.

## 7- TURNING OFF AND CARRYING THE DEVICE

In case you encounter the problems stated below, please check whether you can solve the problem by yourself or not before contacting the Authorized People. In case the problem exceeds your boundaries of authority, please call the Authorized people.

MALFUNCTION	POSSIBLE REASON	SOLUTION
Device is not working and none of the displays are on.	Plug is not fitted appropriately to the socket.	Check whether the plug is plugged to the socket or not and whether there is electricity or not.
	There is no electricity on the socket or there has been a blown-out.	
	There is damage on the operating cable or on the socket.	Immediately turn off the fuse and plug out the device. Contact with the Authorized Person for the replacement of the cable of the device. Appeal for help of qualified electrical expert for the socket control.
Device is not cooling	Too many products are placed.	Pay attention to loading line. Place the products as not to exceed this line limit.
	Ventilating slits are closed	Remove the objects around the device. Keep the necessary distance.
	There is a heat source close to the device.	Keep the heat sources away from the device.
	Thermostat is malfunctioned	In case the thermostat indicator is flashing, contact with the Authorized Person.

EN

Internal lightning is not working.	LED is malfunctioned	Get in contact with the Authorized Person.
Device is making too much noise.	The stays of the device are not balanced.	Control the accuracy of the operation of <b>Section 3.1.1</b> .
	Device is in contact with another object.	Disconnect the device from the object that may vibrate.
	Engine fan is in contact with another object.	Immediately call the Authorized People.
Device is giving off odor.	Improper product placement.	The products to be placed inside the device shall be used in accordance with cooler mode.
	There is a problem in packaging of the product inside the device.	Do not place the products whose packages are damaged inside the device.
Water is leaking on the engine part.	There is damage the evaporation cup.	Call the Authorized People and ensure that the damaged evaporation cup is replaced.
	There may be a crack on the evacuation pipe or the evacuation pipe may be dislocated.	Call the Authorized People and ensure that necessary operation is carried out.



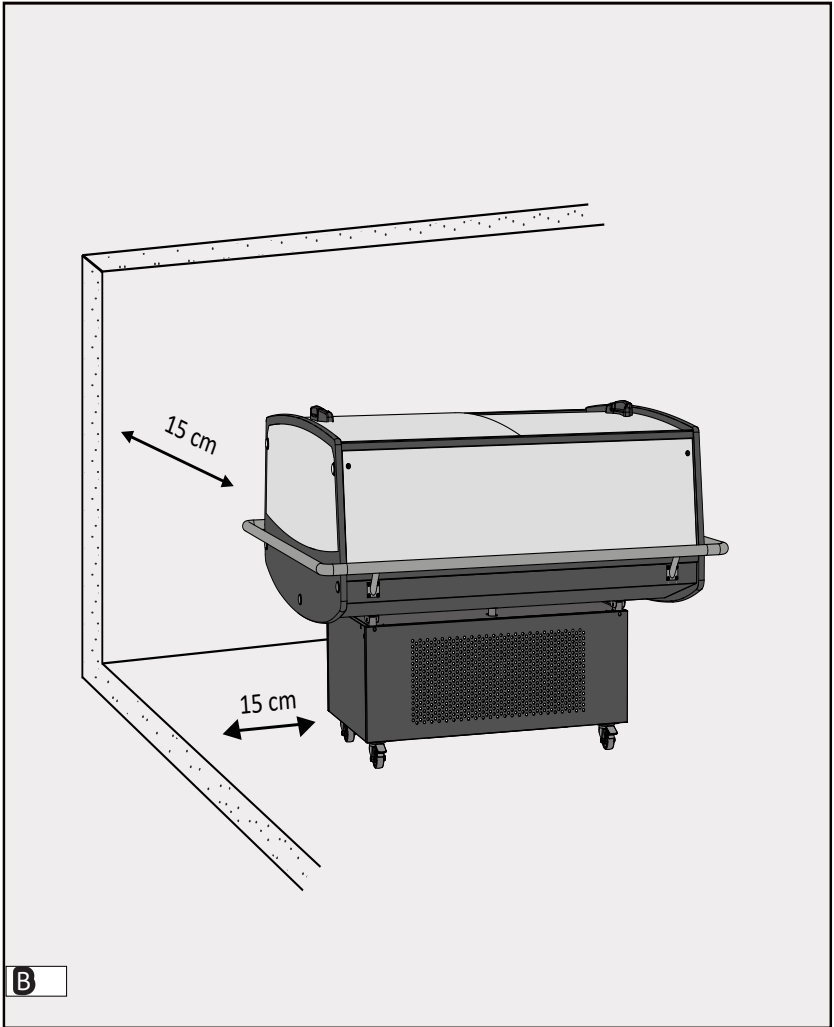


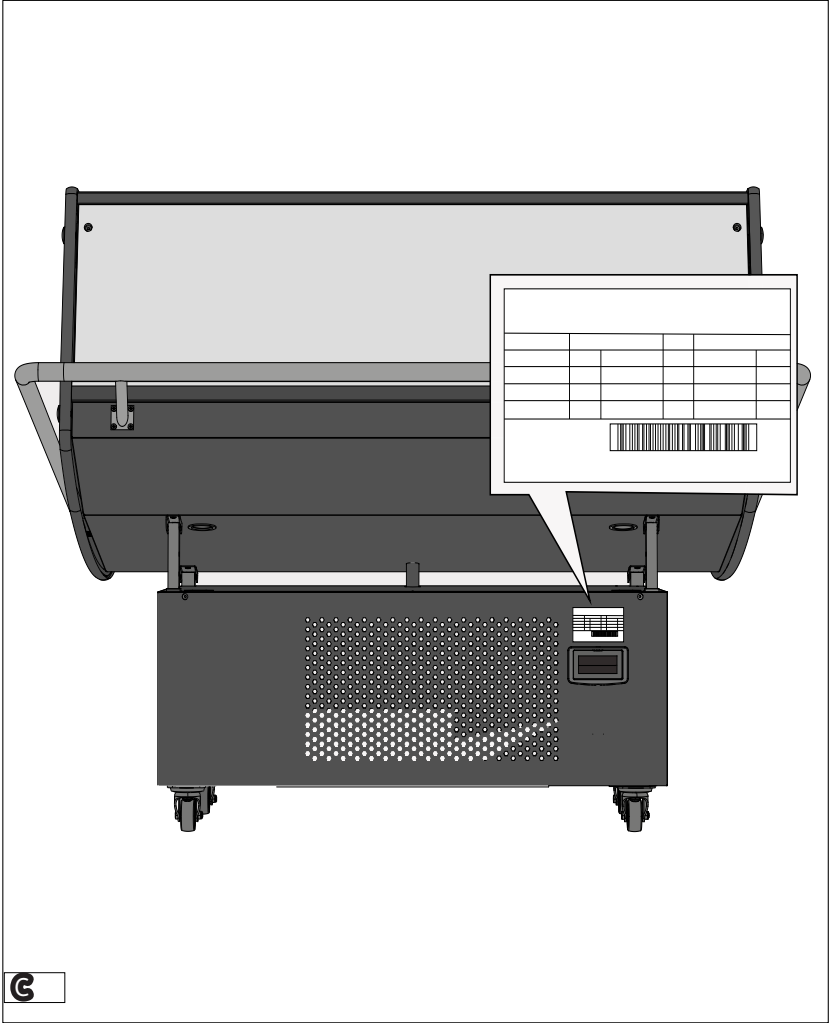
**NOTE**

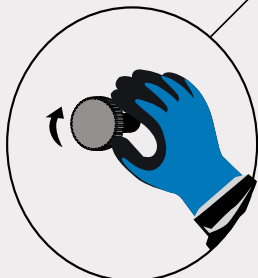
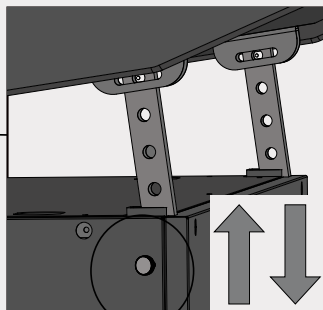
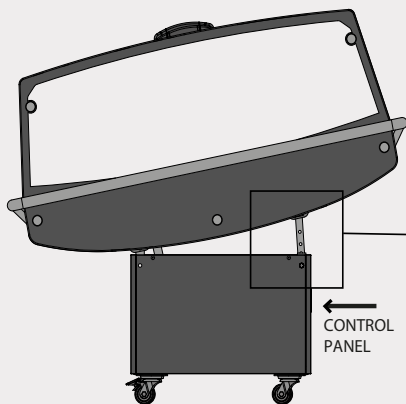
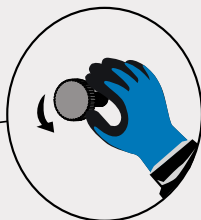
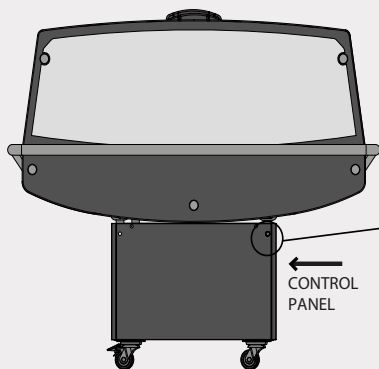
**The device will make some sounds while working. These sounds may be normal. Check the table below.**

<b>Device Operating Sounds</b>	
Humming sound	Cooler system is working.
Babbling, rustling sounds	Cooling gas is passing through pipes.
Clicking	Compressor is being activated and deactivated.
Clicking when the device is turned on	Interior lighting switch is on.



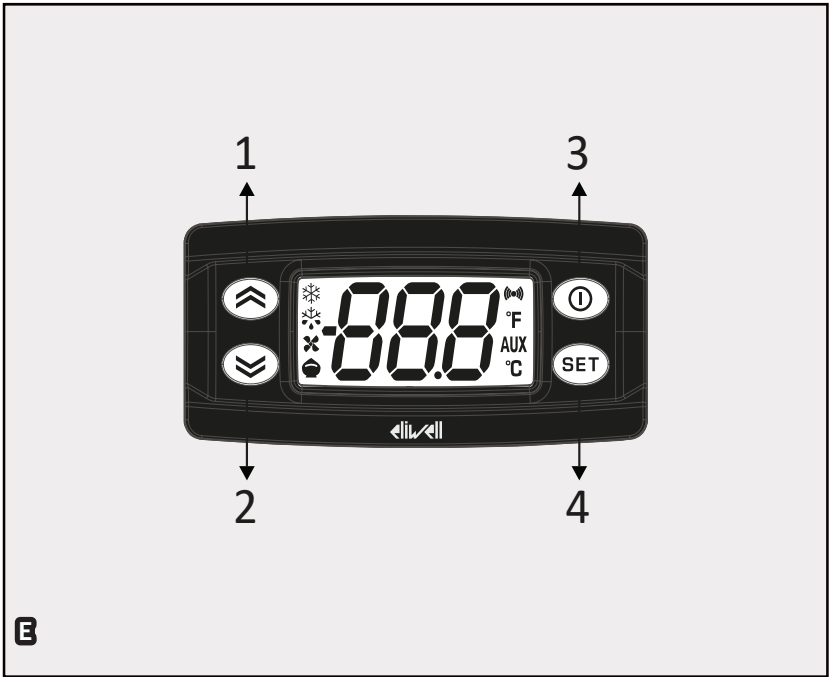


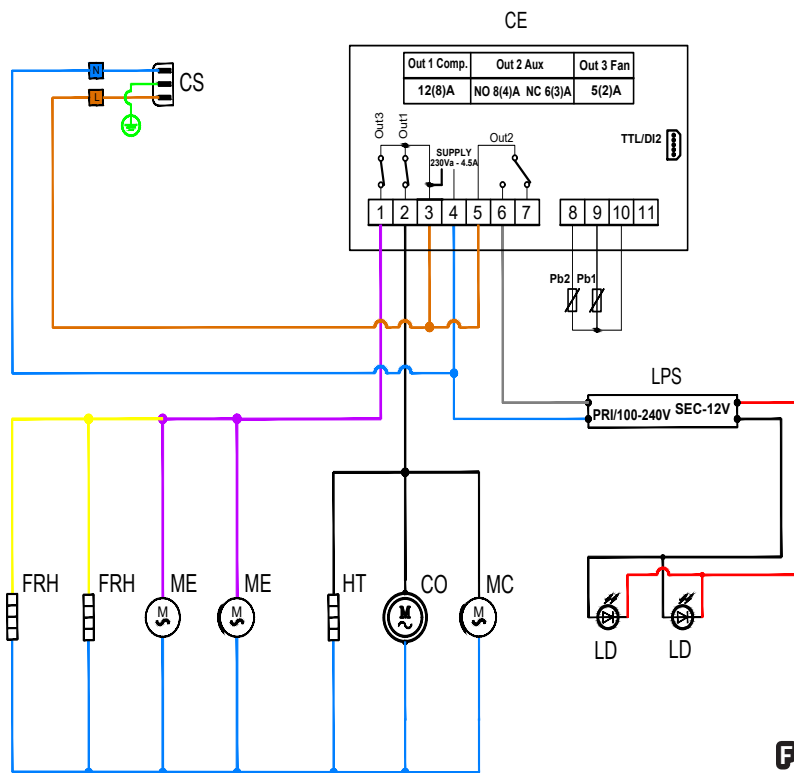




D

EN





F

REF	DEVICE
CE	Electronic Controller
CO	Compressor
CS	Power Supply Cord with Plug
FRH	Frame Heater
HT	PTC Evaporation Resistance
LD	Led
LPS	Led Power Supply
MC	Condanser Motor Fan
ME	Evaporator Fan Motor
PB1	Temperature Probe
PB2	Evaporator Probe

EN

